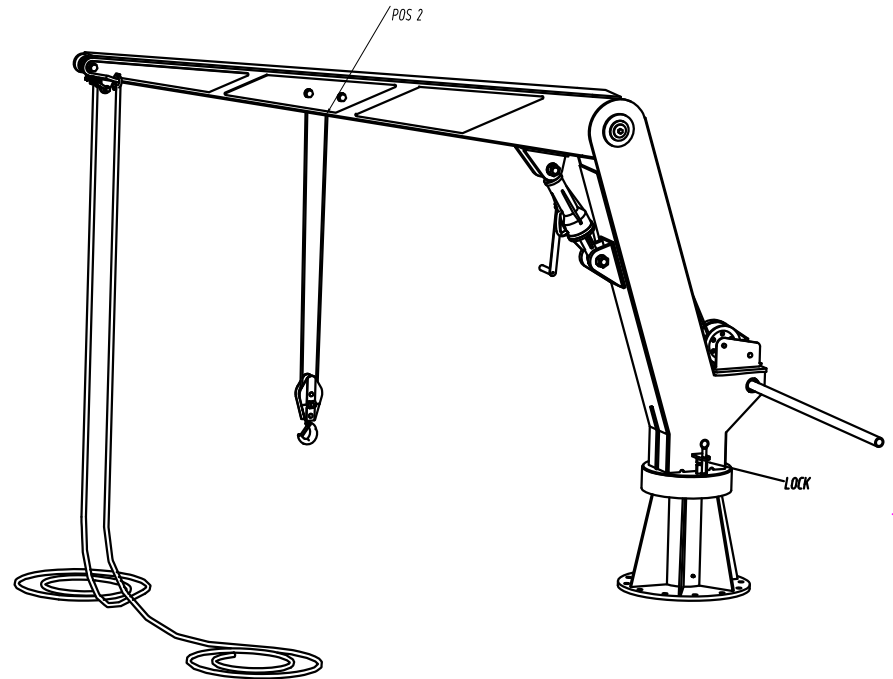


WORKING IN END

Note:

NYLON ROPE IS ONE OPTION FOR CUSTOMER, WILL BE SUPPLIED BY CUSTOMER



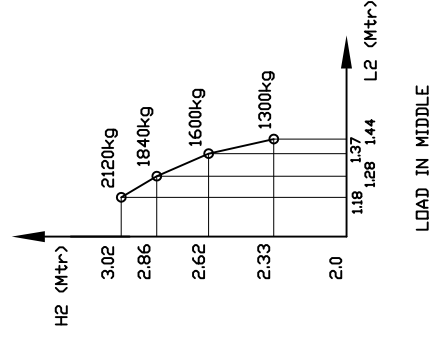
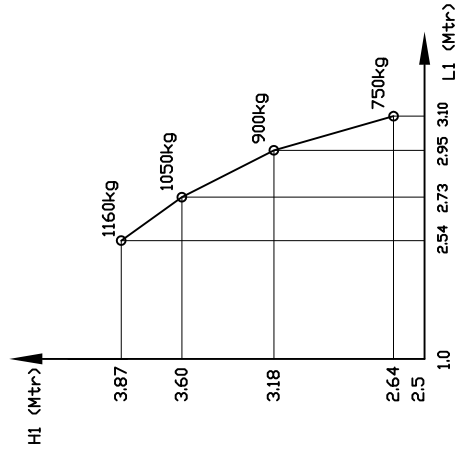
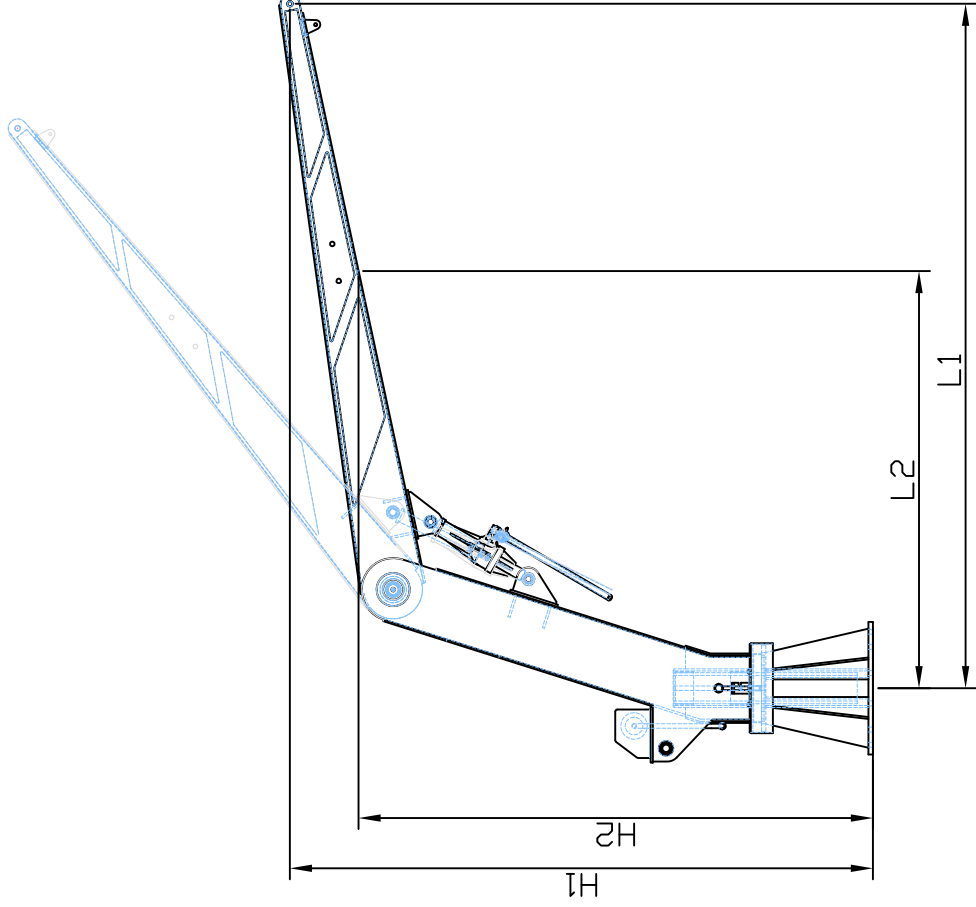
WORKING IN MIDDLE

8	2	NYLON ROPE	φ15mm, 10mtr L
7	1	PULLEY 2TONS	
6	1	SCREW JACK ASSEMBLY	KHC-750-J
5	1	BEAM ASSEMBLY	KHC-750-H
4	1	TURNING TUBE	
3	1	HAND WINCH WITH STEEL ROPE	
2	1	ARM ASSEMBLY	KHC-750-A
1	1	BASE ASSEMBLY	KHC-750-B

Ref No.	Q'ty	Title/Name, Design, Material and Lable etc.	No./Ref.
DESIGNED FUWEI LI	CHECKED LEASER LIU	APPROVED - DATE HAN-200/12/10	FILE NAME KHC-750
		DATE 2009/12/10	SCALE 1:1
QINGDAO H&K METAL PRODUCTS CO.,LTD			WORKING POSITION
KHC-750			EDITION 0
			SHEET 1/1

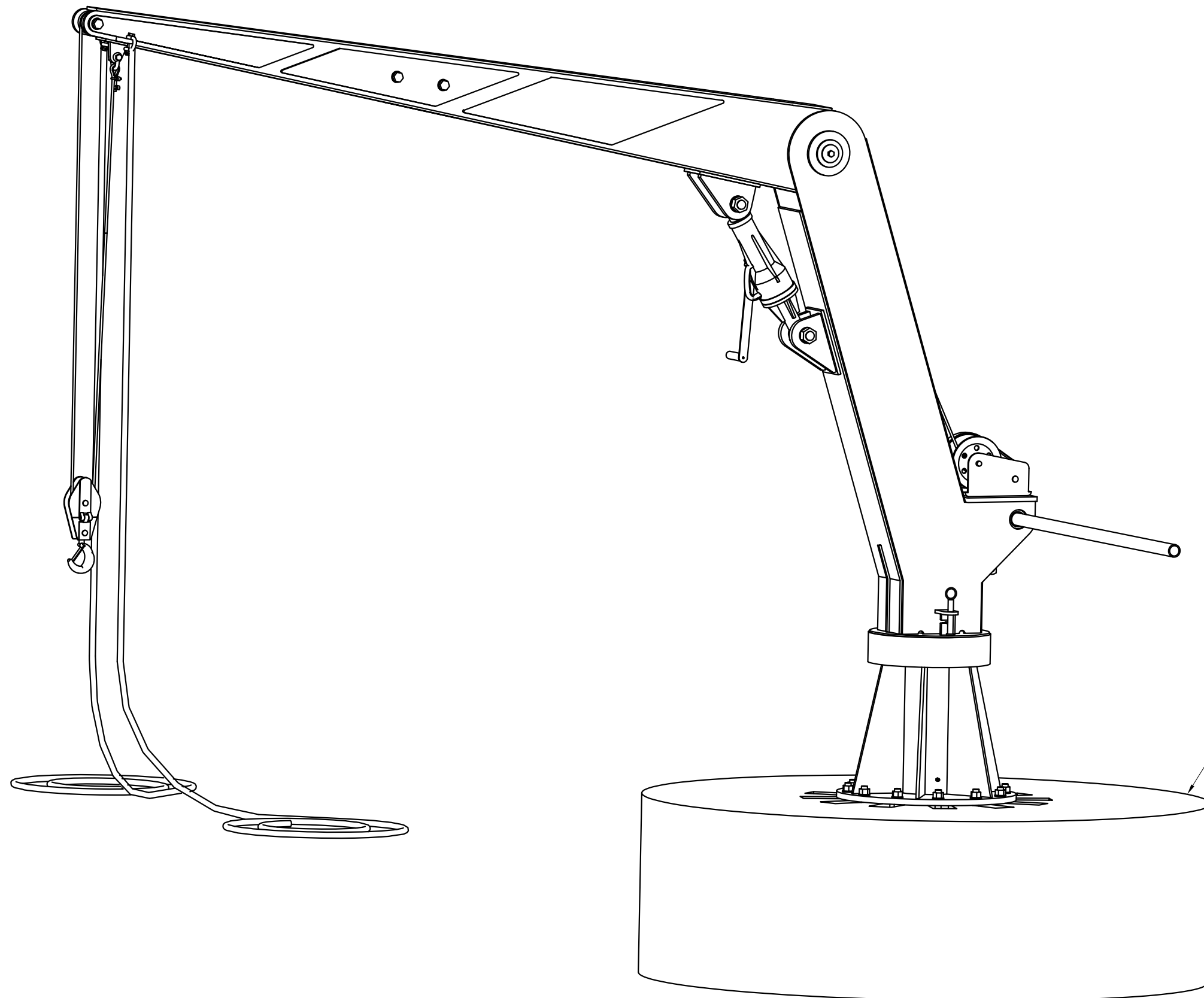
1 2 3 4

A — B — C — D — E — F



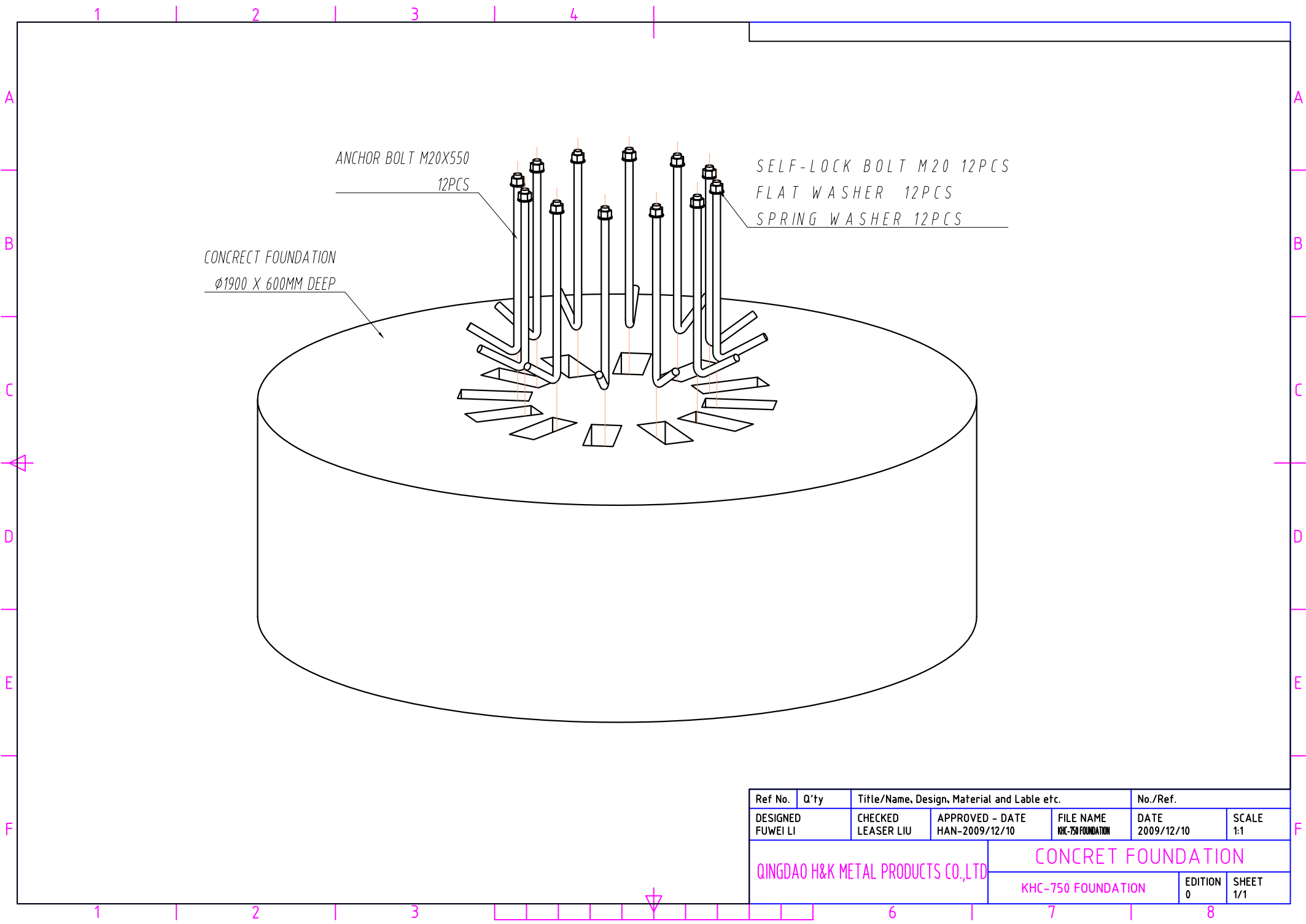
Ref. No	Q'ty	Title/Name, Design, Material etc.	No./Ref
DESIGNED FUWEI LI		CHECKED LEASER LIU	FIFILE NAME KHC-750-RL
		APPROVED - DATE HAN-2009/12/10	DATE 2009/12/10
		SCALE 1:1	
RATE LOAD			
QINGDAO H&K METAL PRODUCTS CO.,LTD		KHC-750-RL	EDITION 0
			SHEET 1/1

1 2 3 4



CONCRECT BASE
φ1900 X 600MM DEEP AT LEAST

Ref No.	Q'ty	Title/Name, Design, Material and Lable etc.			No./Ref.
DESIGNED FUWEI LI	CHECKED LEASER LIU	APPROVED - DATE HAN-2009/12/10	FILE NAME KHC-750	DATE 2009/12/10	SCALE 1:1
QINGDAO H&K METAL PRODUCTS CO.,LTD			ASSEMBLY		
			KHC-750	EDITION 0	SHEET 1/1

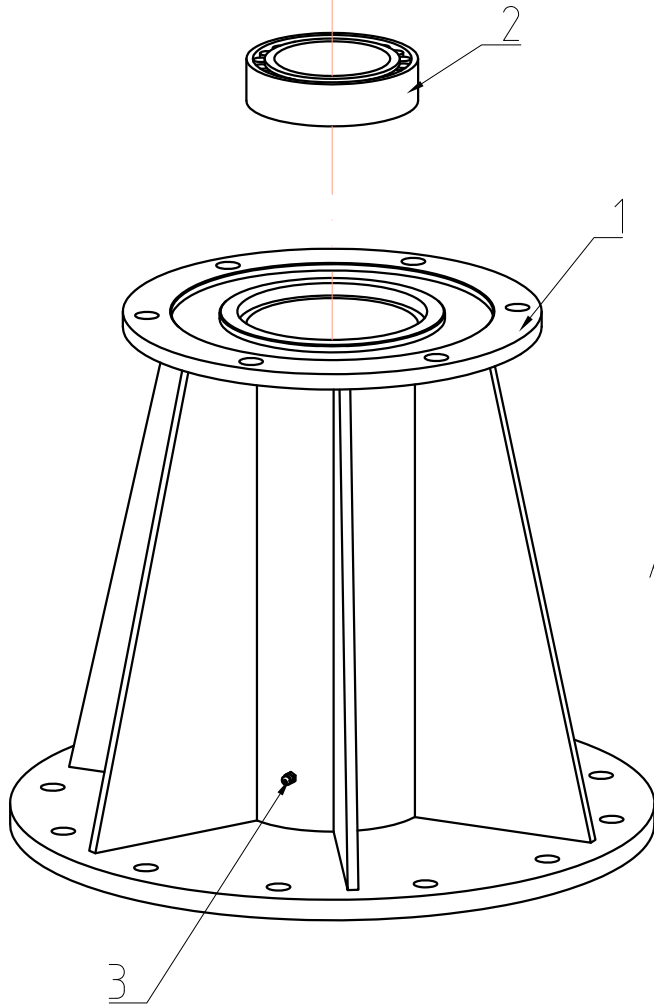


Ref No.	Q'ty	Title/Name, Design, Material and Lable etc.			No./Ref.	
DESIGNED FUWEI LI	CHECKED LEASER LIU	APPROVED - DATE HAN-2009/12/10	FILE NAME KHC-750 FOUNDATION	DATE 2009/12/10	SCALE 1:1	
QINGDAO H&K METAL PRODUCTS CO.,LTD			CONCRET FOUNDATION			
			KHC-750 FOUNDATION	EDITION 0	SHEET 1/1	

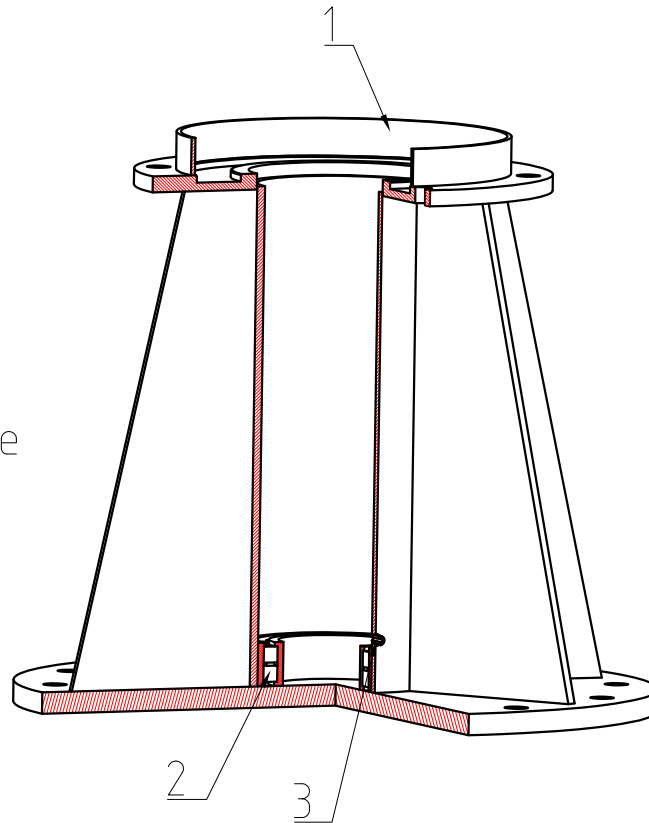


Note:

PLS GREASE THE BEARING BEFORE ASSEMBLY

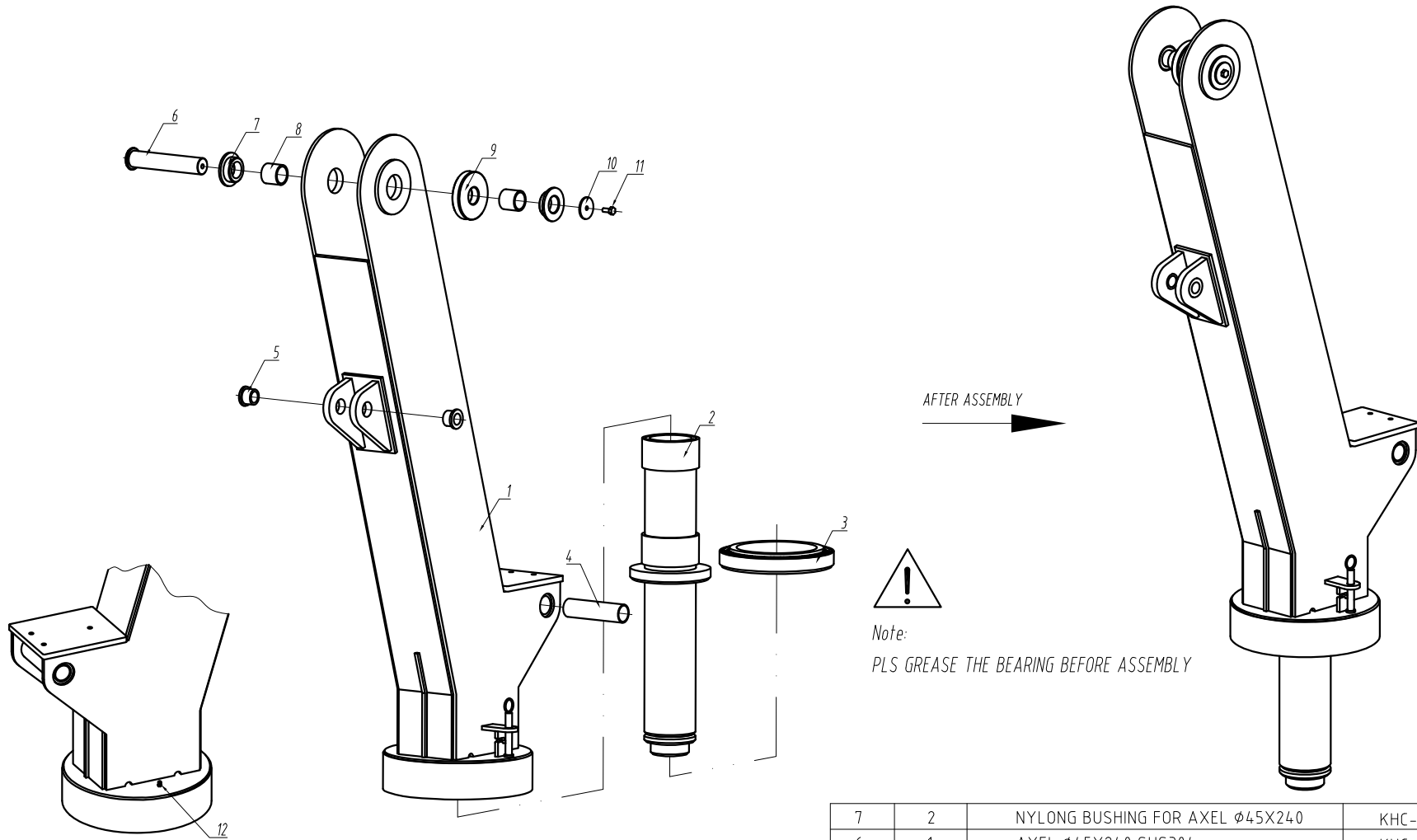


After assemble



3	1	NIPPLE M8	1
2	1	BEARING 23944	1
1	1	BASE	KHC-750-B01

Ref No.	Q'ty	Title/Name, Design, Material and Lable etc.	No./Ref.
DESIGNED FUWEI LI	CHECKED LEASER LIU	APPROVED - DATE Han-2009/12/10	FILE NAME KHC-750-B
QINGDAO H&K METAL PRODUCTS CO.,LTD			DATE 2009/12/10
BASE ASSEMBLY			SCALE 1:1
KHC-750-B			EDITION 0
			SHEET 1/1



7	2	NYLON BUSHING FOR AXEL $\phi 45 \times 240$	KHC-750-A06
6	1	AXEL $\phi 45 \times 240$ SUS304	KHC-750-A05
5	2	STAINLESS BUSHING	KHC-750-A04
4	1	NYLON BUSHING $\phi 50 \times 3 \times 186$	KHC-750-A03
3	1	BEARING NN3021/P5	
2	1	Middle Axel	KHC-750-A02
1	1	Arm	KHC-750-A01

12	1	NIPPLE M8	BRASS
11	1	STAINLESS STEEL BOLT M10X25	
10	1	ALUMINUM WASHER	KHC-750-A09
9	1	AXEL WHEEL $\phi 132 \times 24$	KHC-750-A08
8	2	STOP BUSHING $\phi 55 \times 4.5 \times 50$	KHC-750-A07
Ref/No	Q'ty	Name	No./Ref

Ref No.	Q'ty	Title/Name, Design, Material and Lable etc.			No./Ref.
DESIGNED FUWEI LI	CHECKED XXX	APPROVED - DATE HAN-2009/12/10	FILE NAME KHC-750-AS	DATE 2009/12/10	SCALE 1:1
QINGDAO H&K METAL PRODUCTS CO.,LTD			ARM ASSEMBLY		
KHC-750-AS				EDITION 0	SHEET 1/2

1 2 3 4

A

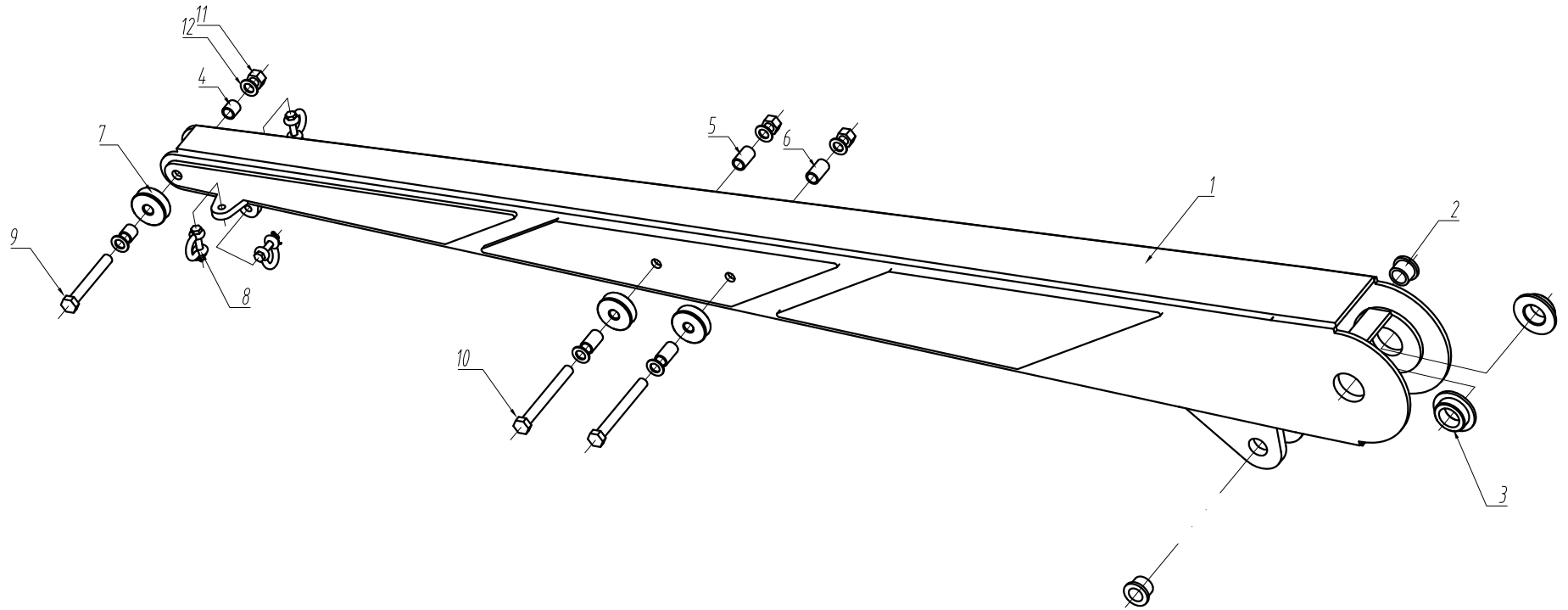
B

C

D

E

F

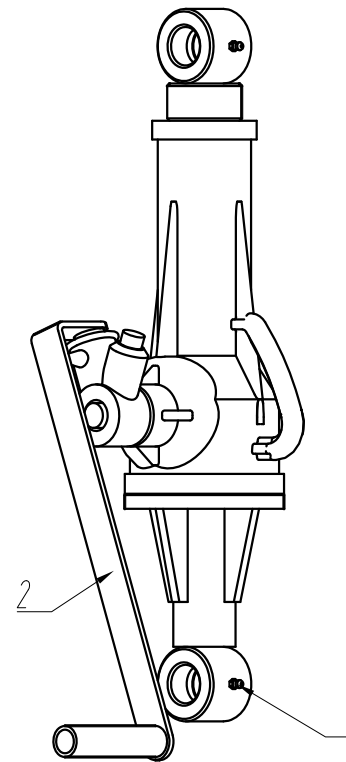
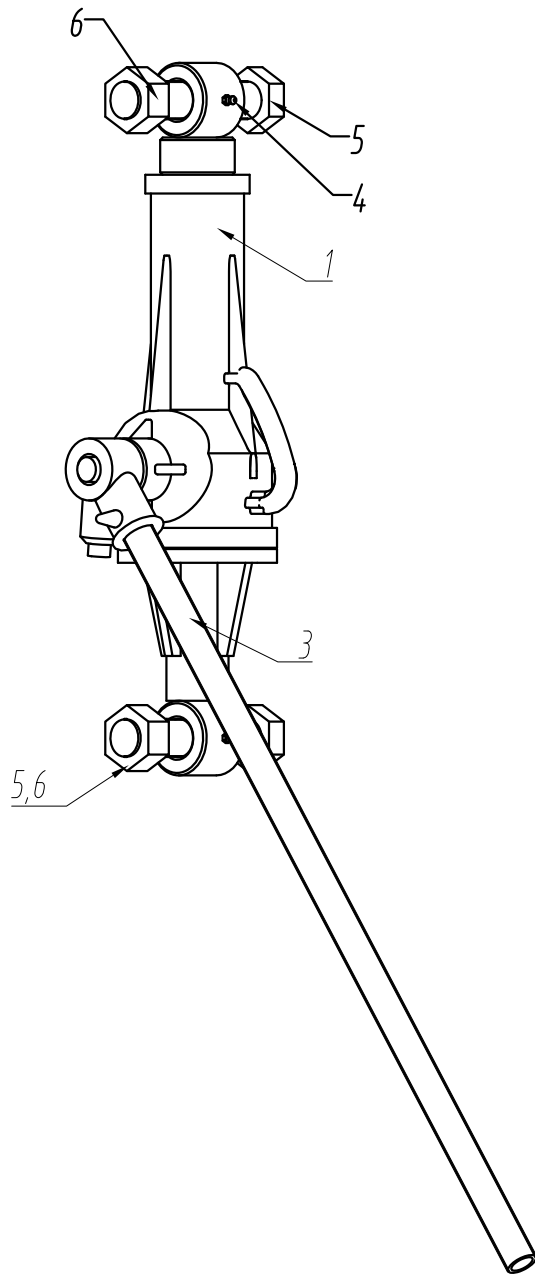


7	3	FRONT WHEEL $\phi 75 \times 24$	KHC-750-H04
6	2	STOP TUBE $\phi 27 \times 3 - 46$	STOP TUBE $\phi 27 \times 3 - 46$
5	2	STOP TUBE $\phi 27 \times 3 - 43$	STOP TUBE $\phi 27 \times 3 - 43$
4	2	STOP TUBE $\phi 27 \times 3 - 26$	STOP TUBE $\phi 27 \times 3 - 26$
3	2	NYLON BUSHING FOR AXEL	KHC-750-H03
2	2	STAINLESS BUSHING	KHC-750-H02
1	1	BEAM	KHC-750-H01

12	6	PLATE WASHER $\phi 37 - \phi 22 - 3$	SUS304
11	3	NUT M20	SUS304
10	2	BOLT M20X185	SUS304
9	1	BOLT M20X150--SUS304	SUS304
8	3	ROPE CHUCK --SUS304	GB 5976-86 Y-10
Ref/No	Q'ty	Name	No./Ref.

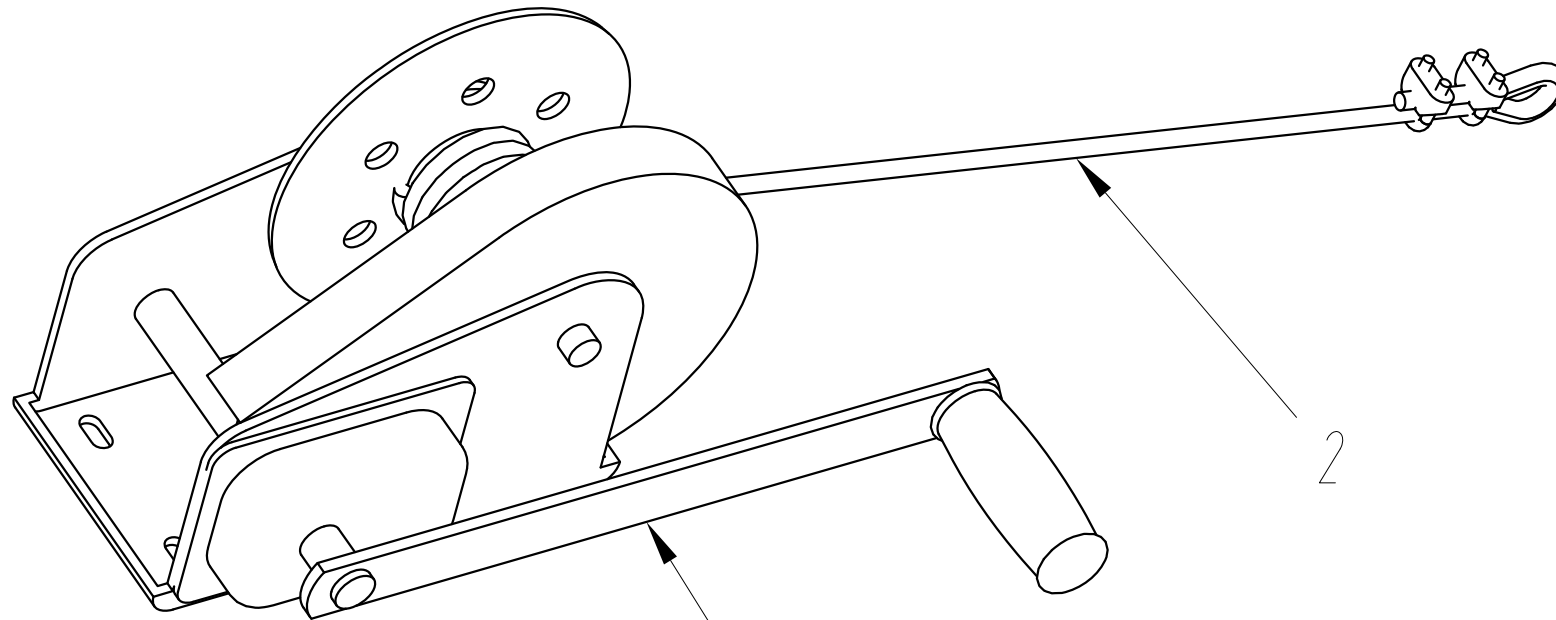
DESIGNED FUWEI LI	CHECKED LEASER LIU	APPROVED - DATE HAN-2009/12/10	FILE NAME KHC-750-H	DATE 2009/12/10	SCALE 1:1
QINGDAO H&K METAL PRODUCTS CO.,LTD			BEAM ASSEMBLY		
			KHC-750-H	EDITION 0	SHEET 1/1

1 2 3 4 5 6 7 8



6	2	NUT M30	SUS304
5	2	BOLT M30X150 SUS304	SUS304
4	2	NIPPLE M6	BRASS
3	1	OPERATING HANDLE--STRAIGHT	φ25X3-750
2	1	OPERATING HANDLE --SWING	KHC-750-J01
1	1	SCREW JACK 16TONS	QL16

Ref No.	Q'ty	Title/Name, Design, Material and Lable etc.			No./Ref.
DESIGNED FUWEI LI	CHECKED LEASER LIU	APPROVED - DATE HAN-200/12/10	FILE NAME KHC-750-JS	DATE 2009/12/10	SCALE 1:1
QINGDAO H&K METAL PRODUCTS CO.,LTD			JACK ASSEMBLY		
			KHC-750-JS	EDITION 0	SHEET 1/1



5	3	NUT M10	SUS304
4	6	FLAT WASHER $\phi 10.5-\phi 20-2$	SUS304
3	3	BOLT M10X40	SUS304
2	1	GAL STEEL WIRE $\phi 8\text{mm} \times 15\text{mtr}$	$\phi 8\text{mm} \times 15\text{mtr}$ long
1	1	HAND WINCH	

Ref No.	Q'ty	Title/Name, Design, Material and Lable etc.	No./Ref.
DESIGNED FUWEI LI	CHECKED LEASER LIU	APPROVED - DATE HAN-200/12/10	FILE NAME KHC-750 W
		DATE 2009/12/10	SCALE 1:1
QINGDAO H&K METAL PRODUCTS CO.,LTD		HAND WINCH	
		KHC-750 W	EDITION 0
			SHEET 1/1